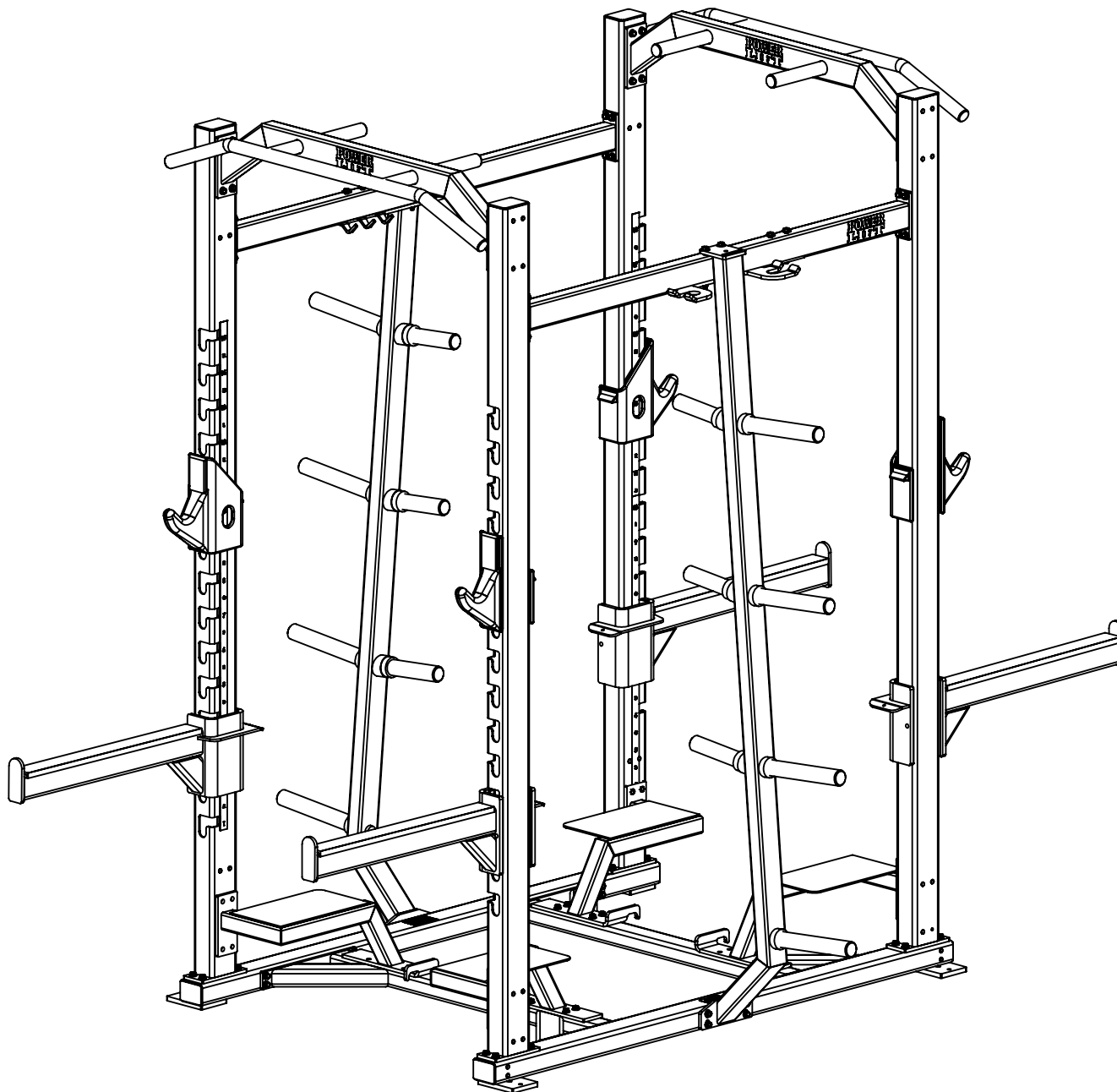


COMBO RACK



Assembly notes:

Fasteners provided to assemble machine:

(100) 3/8"X3/4" Flange Bolts

(4) 3/8"X4-1/2" Bolts

(4) 3/8"X3-3/4" Bolts

Tools required (Not Included):

- 9/16" Open-End Wrench

- 9/16" Socket

- 4 ft ladder (recomended)

Note: When assembling unit DO NOT tighten any fasteners until specified.

POWER LIFT®

PART NUMBER

39160A_assembly cover

THE INFORMATION CONTAINED IN THIS DRAWING IS THE SOLE PROPERTY OF POWER LIFT ANY REPRODUCTION IN PART OR WHOLE WITHOUT THE WRITTEN PERMISSION OF POWER LIFT IS PROHIBITED

REV.

A

Date

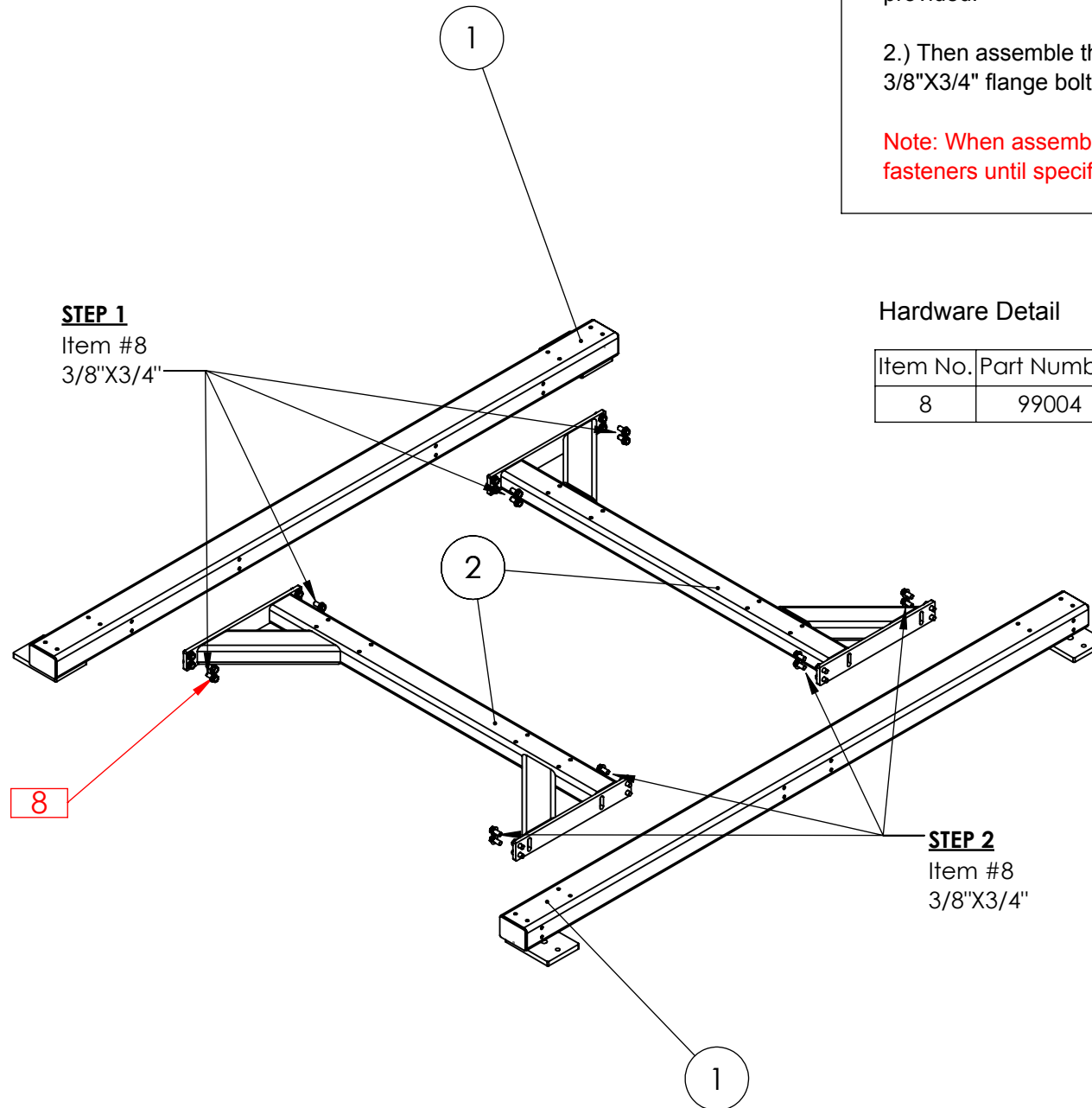
6/10/19

Instructions

1.) Assemble items 2 to item 1 using (8) 3/8"X3/4" flange bolts provided.

2.) Then assemble the other item 1 to both of items 2 using (8) 3/8"X3/4" flange bolts provided. (Tighten all bolts)

Note: When assembling unit DO NOT tighten any remaining fasteners until specified.



Hardware Detail

Item No.	Part Number	Part Name	Qty
8	99004	3/8"X3/4" FLANGE BOLT	16

STEP 1

Item #8
3/8"X3/4"

STEP 2

Item #8
3/8"X3/4"

Frame Detail

Item No.	Part Number	Part Name	Qty
1	55501	BASE	2
2	39565	K-BRACE	2

POWER LIFT ®

PART NUMBER

39160A_page1

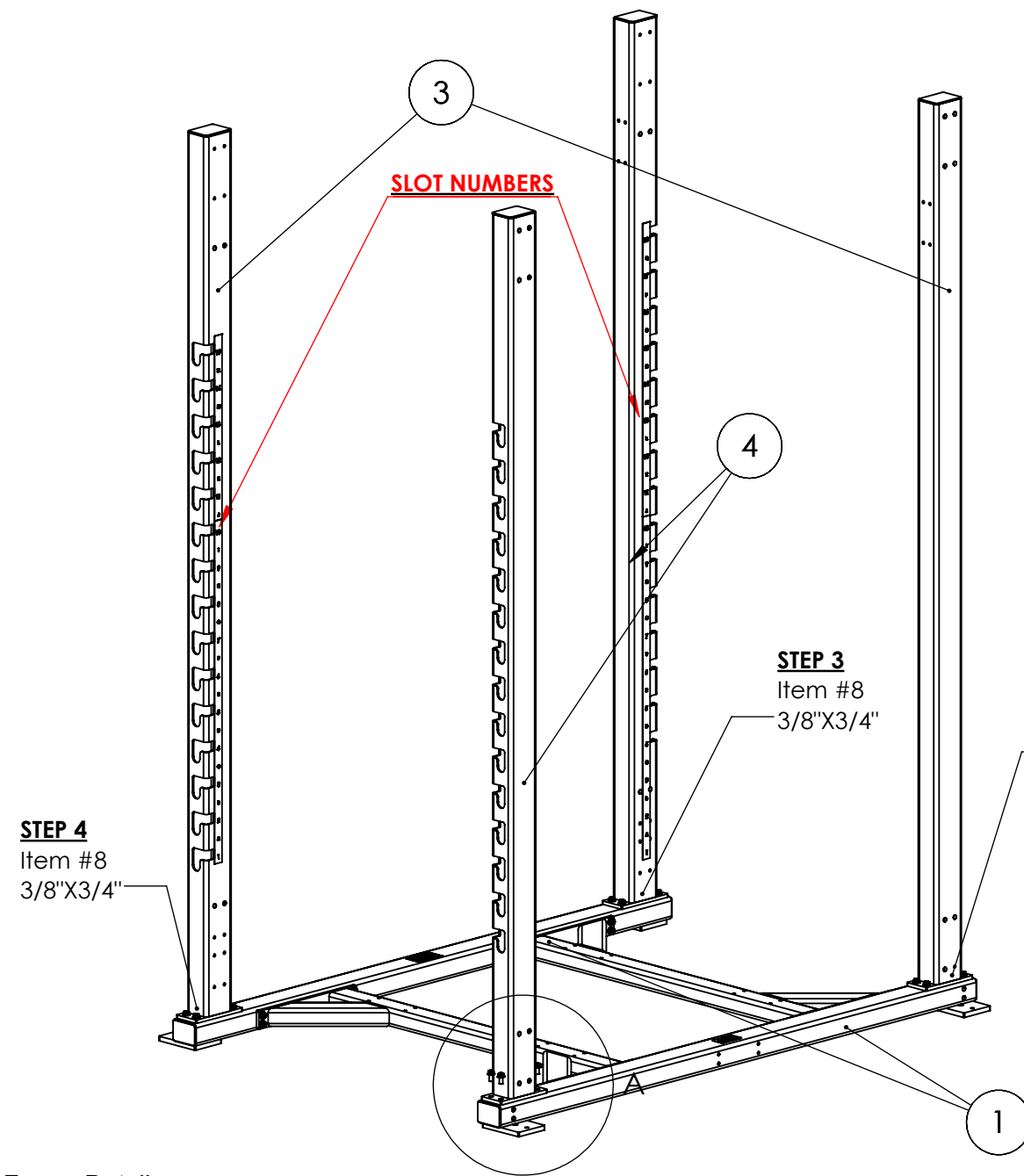
THE INFORMATION CONTAINED IN THIS DRAWING IS THE SOLE PROPERTY OF POWER LIFT ANY REPRODUCTION IN PART OR WHOLE WITHOUT THE WRITTEN PERMISSION OF POWER LIFT IS PROHIBITED

REV.

A

Date

6/10/19



Instructions

3.) Assemble items 4 to items 1 using (8) 3/8"X3/4" flange bolts provided. **(SLOT NUMBERS FACE INSIDE)**

4.) Assemble items 3 to item 1 using (8) 3/8"X3/4" flange bolts provided. **(SLOT NUMBERS FACE INSIDE)**

Note: When assembling unit DO NOT tighten any fasteners until specified.

Hardware Detail

Item No.	Part Number	Part Name	Qty
8	99004	3/8"X3/4" FLANGE BOLT	16

STEP 4
Item #8
3/8"X3/4"

STEP 3
Item #8
3/8"X3/4"

STEP 4
Item #8
3/8"X3/4"

STEP 3
Item #8
3/8"X3/4"

8

Frame Detail

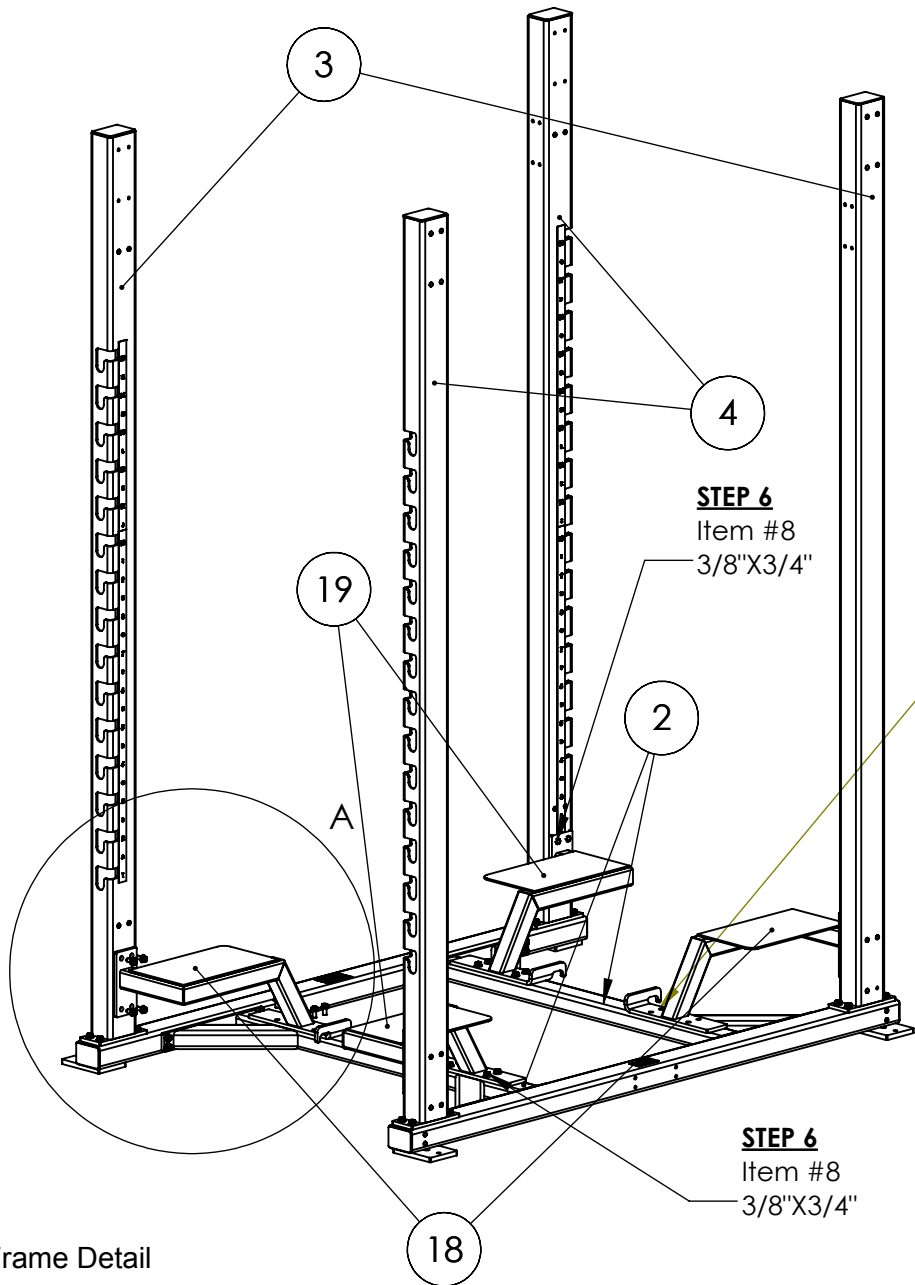
Item No.	Part Number	Part Name	Qty
1	55501	BASE	2
3	39517A	LEFT UPRIGHT	2
4	39518A	RIGHT UPRIGHT	2

POWER LIFT ®

PART NUMBER
39160A_page2

THE INFORMATION CONTAINED IN THIS DRAWING IS THE SOLE PROPERTY OF POWER LIFT ANY REPRODUCTION IN PART OR WHOLE WITHOUT THE WRITTEN PERMISSION OF POWER LIFT IS PROHIBITED

REV.	A	Date	6/10/19
------	---	------	---------



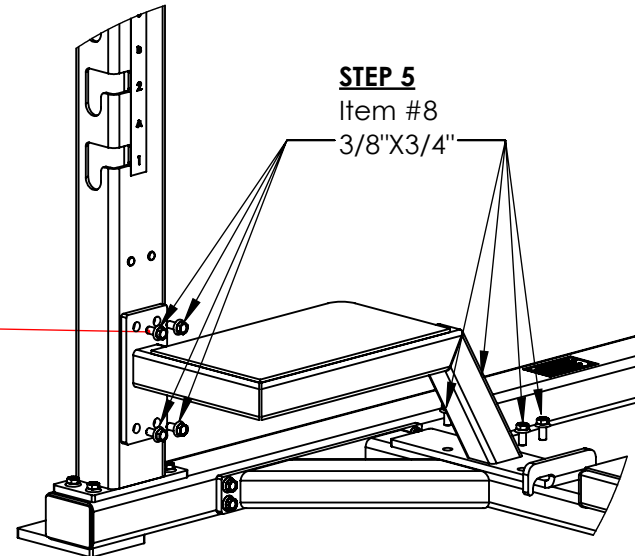
- Instructions
- Assemble items 18 to items 2 and 3 using (16) 3/8"X3/4" flange bolts provided.
 - Assemble items 19 to items 2 and 4 using (16) 3/8"X3/4" flange bolts provided.

Note: When assembling unit DO NOT tighten any fasteners until specified.

Hardware Detail

Item No.	Part Number	Part Name	Qty
8	99004	3/8"X3/4" FLANGE BOLT	32

STEP 5
Item #8
3/8"X3/4"



STEP 5
Item #8
3/8"X3/4"

Frame Detail

Item No.	Part Number	Part Name	Qty
1	55501	BASE	2
2	39565	K-BRACE	2
3	39517A	LEFT UPRIGHT	2
4	39518A	RIGHT UPRIGHT	2
18	40101	LEFT SPOTTER	1
19	40103	RIGHT SPOTTER	1

POWER LIFT ®

PART NUMBER
39160A_page3

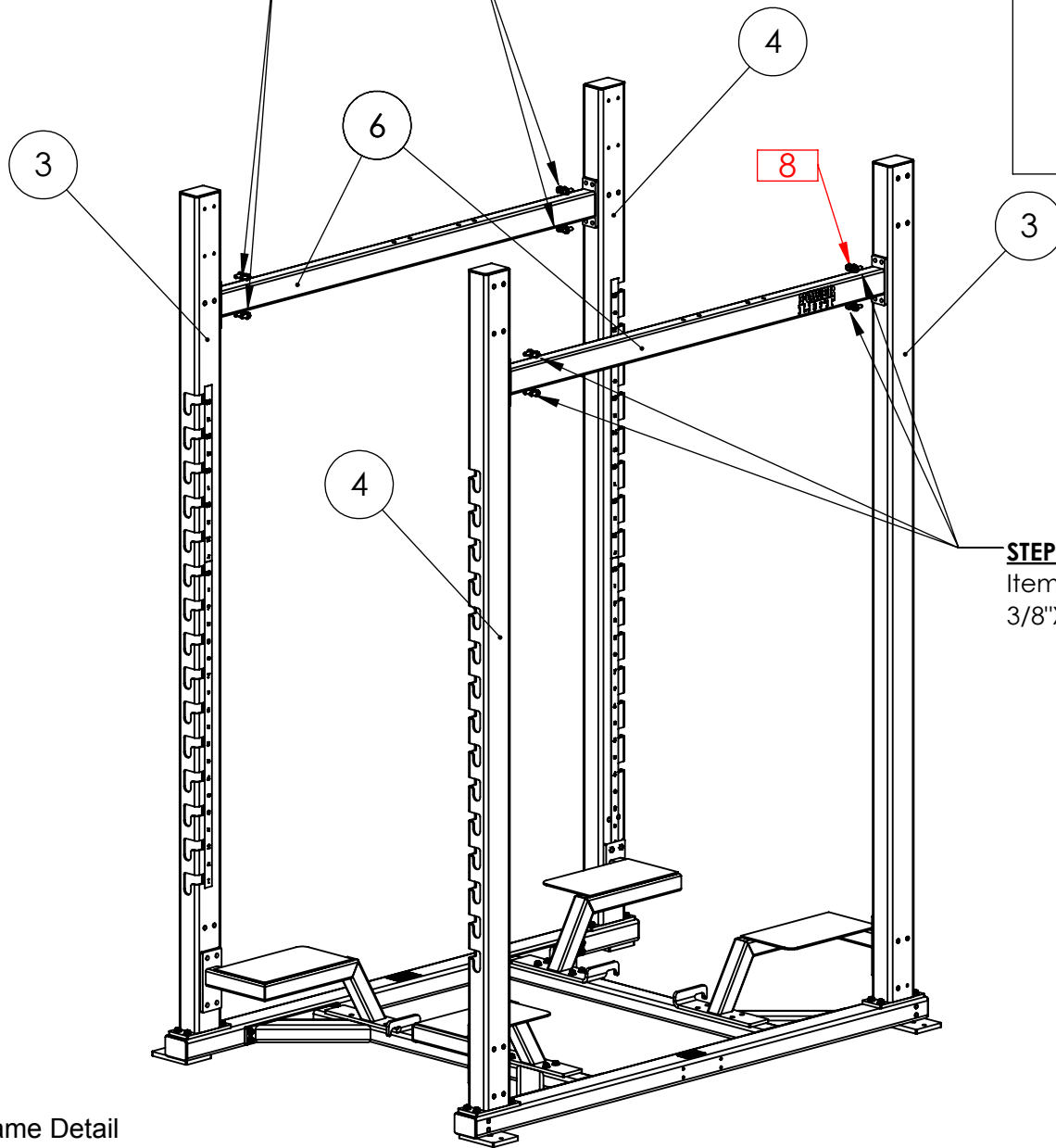
THE INFORMATION CONTAINED IN THIS DRAWING IS THE SOLE PROPERTY OF POWER LIFT ANY REPRODUCTION IN PART OR WHOLE WITHOUT THE WRITTEN PERMISSION OF POWER LIFT IS PROHIBITED

REV.	A	Date	6/10/19
------	---	------	---------

STEP 7

Item #8

3/8"X3/4"



Instructions

7.) Assemble item 6 to items 3 and 4 so that the Power Lift decal is facing out using (8) 3/8"X3/4" flange bolts provided.

8.) Assemble items 6 to items 3 and 4 so that the Power Lift decal is facing out using (8) 3/8"X3/4" flange bolts provided.

Note: When assembling unit DO NOT tighten any fasteners until specified.

Hardware Detail

Item No.	Part Number	Part Name	Qty
8	99004	3/8"X3/4" FLANGE BOLT	16

STEP 8

Item #8

3/8"X3/4"

Frame Detail

Item No.	Part Number	Part Name	Qty
3	39517A	LEFT UPRIGHT	2
4	39518A	RIGHT UPRIGHT	2
6	39582	TOP CROSSBRACE	2

POWER LIFT ®

PART NUMBER

39160A_page4

THE INFORMATION CONTAINED IN THIS DRAWING IS THE SOLE PROPERTY OF POWER LIFT ANY REPRODUCTION IN PART OR WHOLE WITHOUT THE WRITTEN PERMISSION OF POWER LIFT IS PROHIBITED

REV.

A

Date

6/10/19

STEP 10

Item #8

3/8"X3/4"

Instructions

9.) Assemble item 5 to items 3 and 4 using (8) 3/8"X3/4" flange bolts provided.

10.) Assemble items 5 to items 3 and 4 using (8) 3/8"X3/4" flange bolts provided.

Note: When assembling unit DO NOT tighten any fasteners until specified.

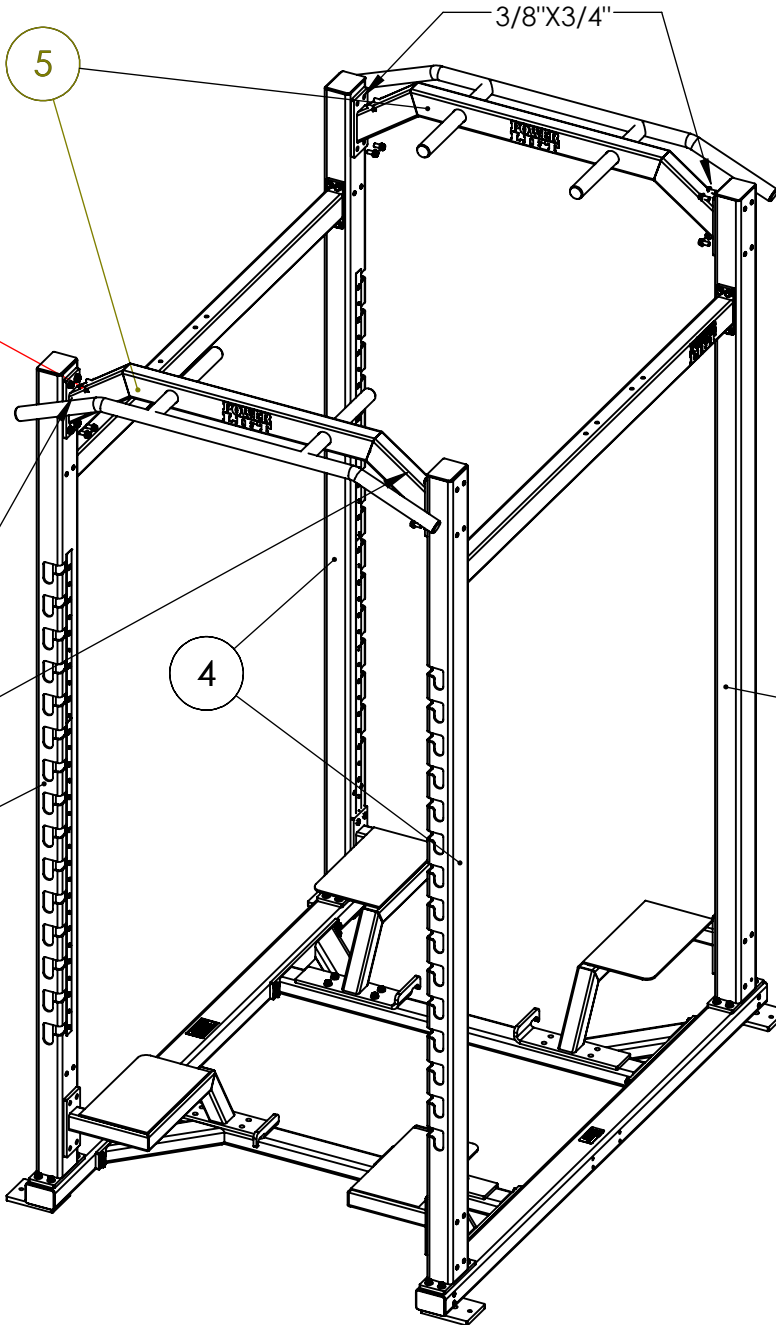
Hardware Detail

Item No.	Part Number	Part Name	Qty
8	99004	3/8"X3/4" FLANGE BOLT	16

STEP 9

Item #8

3/8"X3/4"



Frame Detail

Item No.	Part Number	Part Name	Qty
3	39517A	LEFT UPRIGHT	2
4	39518A	RIGHT UPRIGHT	2
5	11595A	CHIN BAR	2

POWER LIFT ®

PART NUMBER

39160A_page5

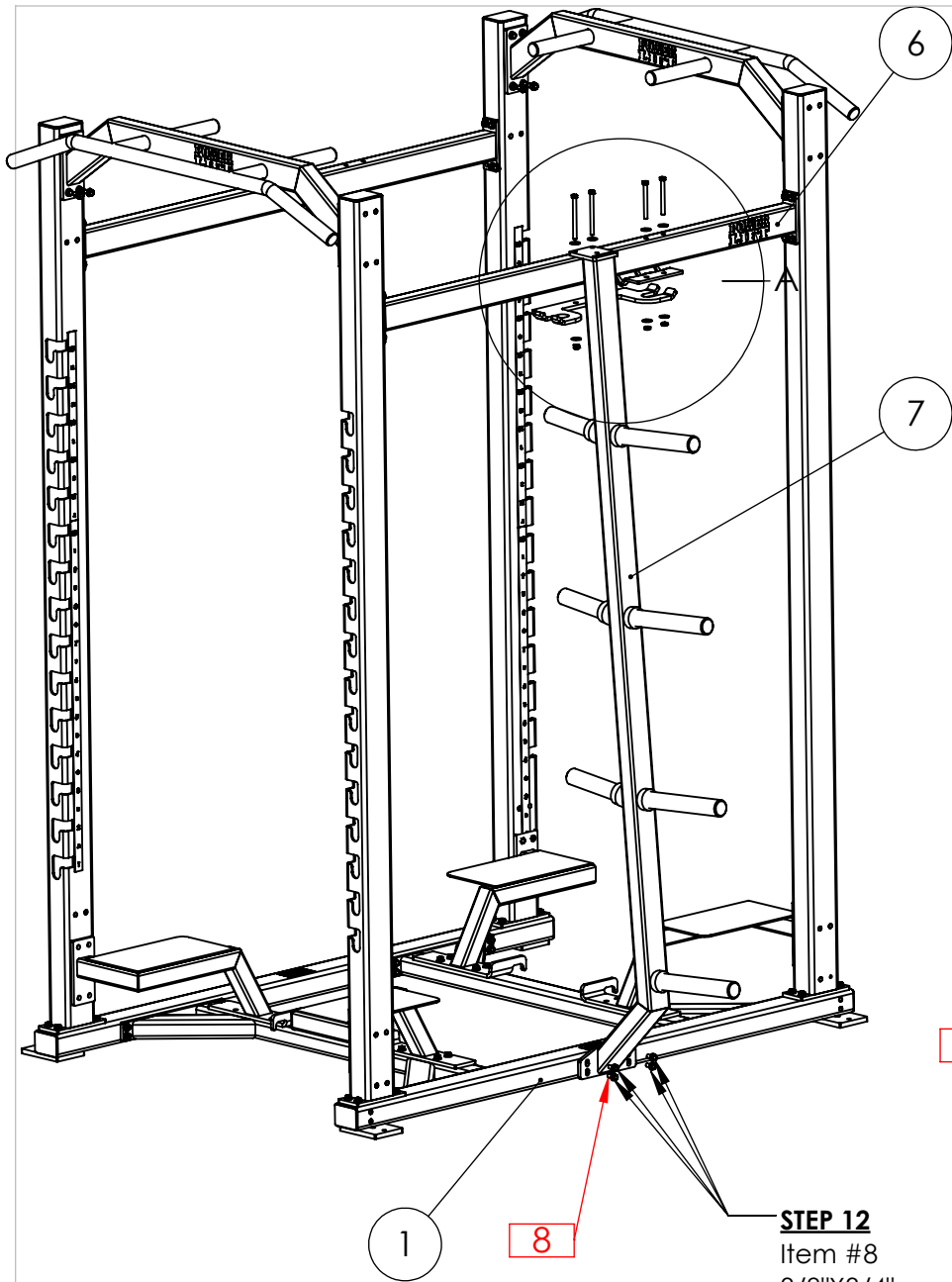
THE INFORMATION CONTAINED IN THIS DRAWING IS THE SOLE PROPERTY OF POWER LIFT ANY REPRODUCTION IN PART OR WHOLE WITHOUT THE WRITTEN PERMISSION OF POWER LIFT IS PROHIBITED

REV.

A

Date

6/10/19



- Instructions**
- 11.) Assemble item 7 and 20 to items 6 using (2) 3/8"X4-1/2" bolts provided.
 - 12.) Assemble items 7 to item 1 using (4) 3/8"X3/4" flange bolts provided.
 - 13.) Assemble item 21 to item 6 using (2) 3/8"X3-3/4" bolts provided. (3 hooks face inside.)

Note: When assembling unit DO NOT tighten any fasteners until specified.

Hardware Detail

Item No.	Part Number	Part Name	Qty
8	99004	3/8"X3/4" FLANGE BOLT	4
22	99584	3/8"X4-1/2" BOLT	2
23	99664	3/8"X3-3/4" BOLT	2
24	99531	3/8" FLATWASHER	8
25	99540	3/8" NUT	2
26	99619	3/8" THIN NUT	2

Frame Detail

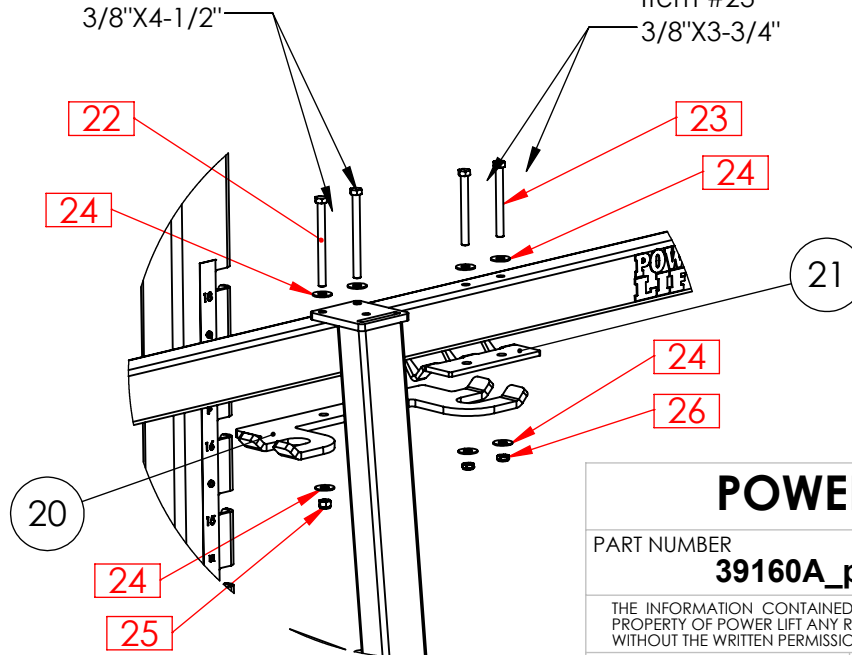
Item No.	Part Number	Part Name	Qty
1	55501	BASE	1
6	39582	TOP CROSSBRACE	1
7	53021A	WEIGHT STORAGE	1
20	39042	BAR STORAGE S-PLATE	1
21	32168	BAR STORAGE HOOKS	1

STEP 11

Item #22
3/8"X4-1/2"

STEP 13

Item #23
3/8"X3-3/4"



POWER LIFT ®

PART NUMBER

39160A_page6

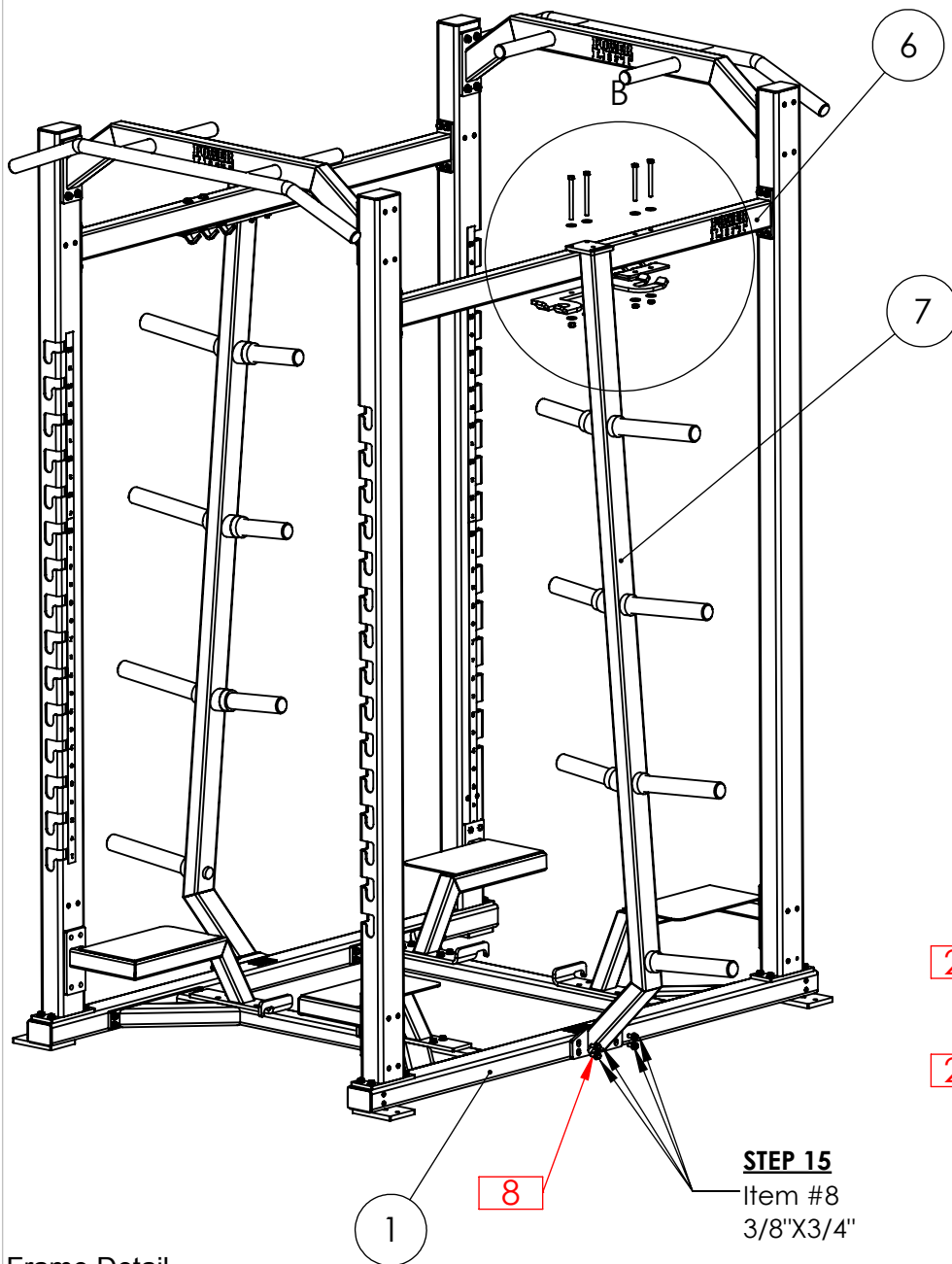
THE INFORMATION CONTAINED IN THIS DRAWING IS THE SOLE PROPERTY OF POWER LIFT ANY REPRODUCTION IN PART OR WHOLE WITHOUT THE WRITTEN PERMISSION OF POWER LIFT IS PROHIBITED

REV.

A

Date

6/10/19



Frame Detail

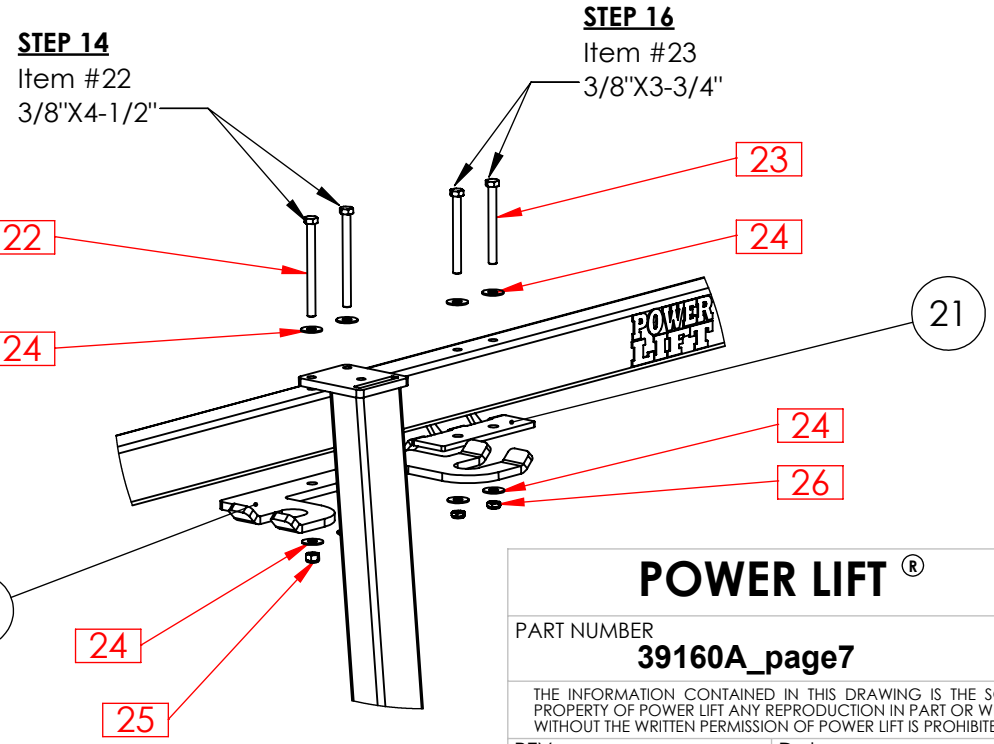
Item No.	Part Number	Part Name	Qty
1	55501	BASE	1
6	39582	TOP CROSSBRACE	1
7	53021A	WEIGHT STORAGE	1
20	39042	BAR STORAGE S-PLATE	1
21	32168	BAR STORAGE HOOKS	1

Instructions

- 14.) Assemble item 7 and 20 to items 6 using (2) 3/8"X4-1/2" bolts provided.
- 15.) Assemble items 7 to item 1 using (4) 3/8"X3/4" flange bolts provided.
- 16.) Assemble item 21 to item 6 using (2) 3/8"X3-3/4" bolts provided.
(Note: 3 hooks face inside.)
- 17.) Tighten all bolts starting from the bottom to the top.

Hardware Detail

Item No.	Part Number	Part Name	Qty
8	99004	3/8"X3/4" FLANGE BOLT	4
22	99584	3/8"X4-1/2" BOLT	2
23	99664	3/8"X3-3/4" BOLT	2
24	99531	3/8" FLATWASHER	8
25	99540	3/8" NUT	2
26	99619	3/8" THIN NUT	2



STEP 16

Item #23
3/8"X3-3/4"

POWER LIFT®

PART NUMBER

39160A_page7

THE INFORMATION CONTAINED IN THIS DRAWING IS THE SOLE PROPERTY OF POWER LIFT ANY REPRODUCTION IN PART OR WHOLE WITHOUT THE WRITTEN PERMISSION OF POWER LIFT IS PROHIBITED

REV.

A

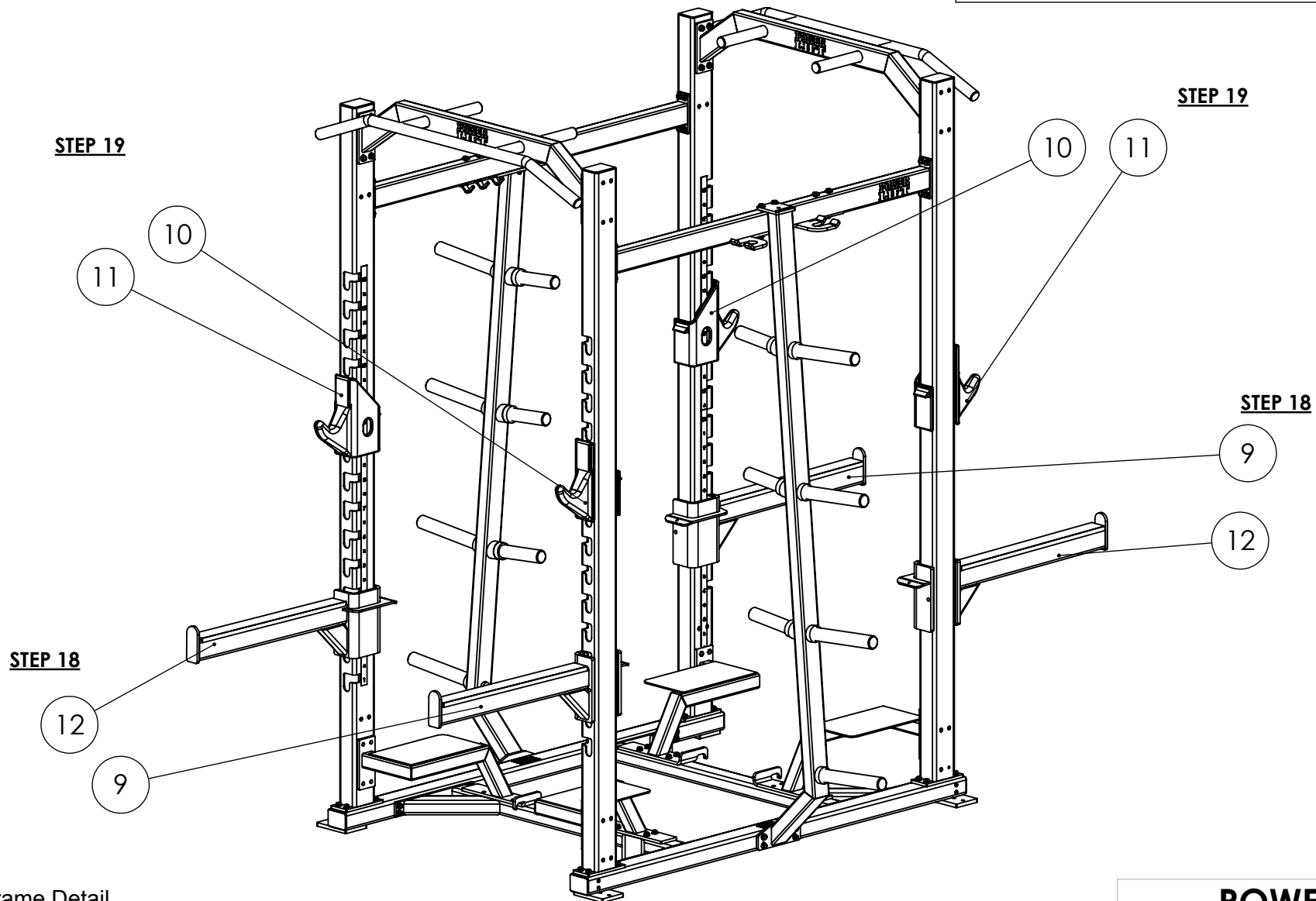
Date

6/10/19

Instructions

18.) Attach items 9 and 12 to each upright.

19.) Attach items 10 and 11 to each upright.



Frame Detail

Item No.	Part Number	Part Name	Qty
9	11527A	RIGHT BAR CATCH	2
10	11528A	LEFT BAR CATCH	2
11	18000B	RIGHT SAFETY ARM	2
12	18001B	LEFT SAFETY ARM	2

POWER LIFT ®

PART NUMBER

39160A_page8

THE INFORMATION CONTAINED IN THIS DRAWING IS THE SOLE PROPERTY OF POWER LIFT ANY REPRODUCTION IN PART OR WHOLE WITHOUT THE WRITTEN PERMISSION OF POWER LIFT IS PROHIBITED

REV.

A

Date

6/10/19